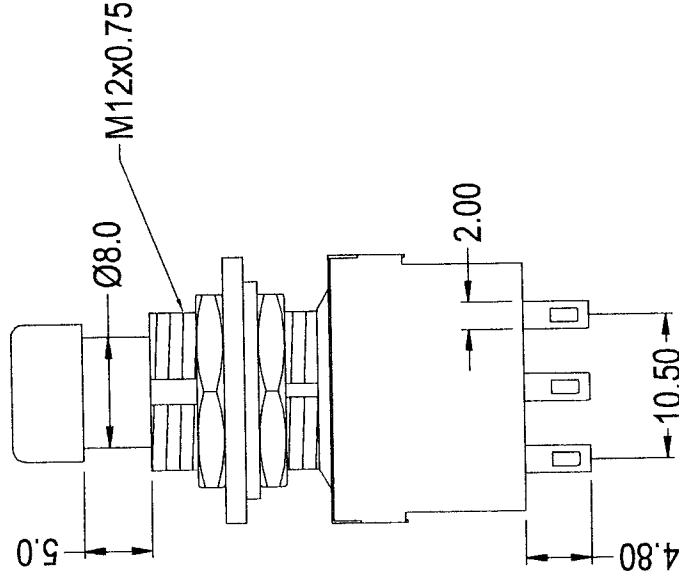
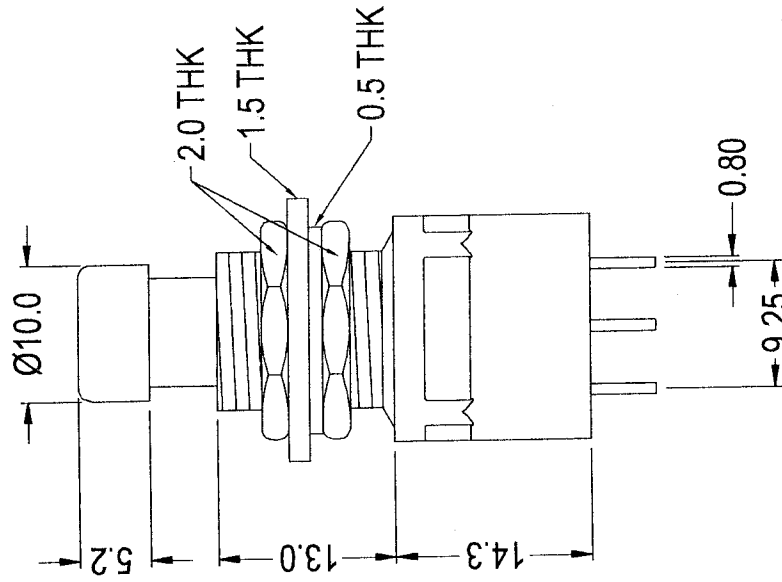
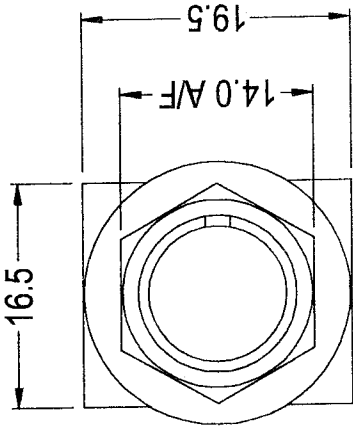


CLIFF

RATED 1A. 250VAC



3PDT SOLDER TAG

ISS.	AMEND	DATE
1	ISSUED	24/01/07
2	P/No. ERROR	29/5/07

RoHS COMPLIANT

TOLERANCE

- NO DEC. PLACE ± 0.5
- 1 DEC. PLACE ± 0.25
- 2 DEC. PLACE ±
- HOLE DIA. ±
- ANGLES ± 1/2°
- UNLESS
- OTHERWISE STATED

WHERE USED F.R.

SCALE N.T.S.

DIMENSIONS IN MILLIMETERS UNLESS OTHERWISE STATED. WORK TO DIMENSIONS. DO NOT SCALE DRAWING. 30° ANGLE PROJECTION. REMOVE ALL BURRS. IF IN DOUBT ASK.

Cliff Electronic Components Ltd.

76 Holmehorpe Ave., Holmehorpe Ind. Estate,
Redhill, Surrey, RH1 2PF, England
Tel: 01737-71315 Fax: 01737-766012

MATERIAL BRASS / STEEL / NYLON 66

FINISH NI HARDWARE / CONTACTS TIN PLATED / AS MOULDED

DRAWN TJO APPD. DPJ

TITLE PUSH BUTTON SWITCH - 3PDT

DRWG. No. FC 71101

FORM: ADRWGH